

Communication adapter Ethernet / RS485/422 ELO E222



Characteristics

- Easy installation – application profiles
- Wide network protocols supported
- Activity Indicators: Link, Activity, Tx, Rx
- DIN rail mounting optional

Introduction

Nowadays, an Ethernet networking became widely used in the automation industry. A duplex RS422 device or a half-duplex RS485 bus can be integrated into Ethernet network by the adapter E222.

An Ethernet user can be connected to RS485 bus through the ELO E222 too.

Applications

The adapter altogether with supplied software allows various applications. There is configuration software supporting MS Windows operating system on enclosed CD-ROM, but Linux/Unix versions are also available.

The adapter can connect the RS422 device or RS485 bus to the computer over the network; it is mapped as a virtual COM port – the **RealPort profile**.

Two RS422 devices or two RS485 bus lines can be connected over the Ethernet like they were connected by a serial cable – the **Serial Bridge profile**.

Another application of the adapter can integrate a serial device to the network over the TCP protocol as a TCP client or TCP server – the **TCP socket**.

The adapter can use the UDP protocol to communicate – the **UDP socket**.

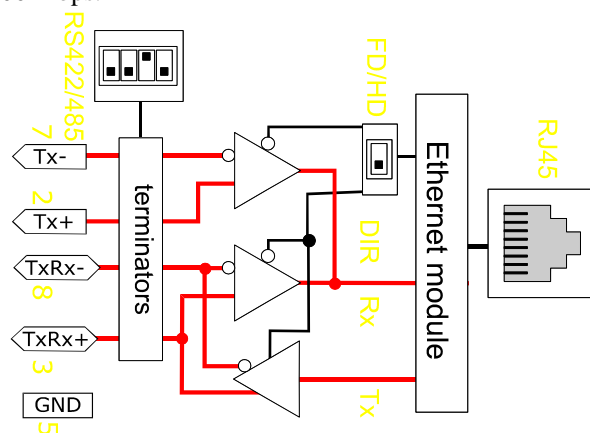
Finally, there is a **Custom profile**, where the user can change all of the communication settings both serial and network layer.

Operation

The adapter converts RS422/485 data stream to the Ethernet layer. The RS422/485 interface is terminated with DB9M connector, the Ethernet is interfaced with RJ-45 socket.

The switches on the back panel of ELO E222 allow the connection of the internal terminators (impedance matching).

The adapter ELO E222 allows the communication up to 230 kbps over serial line. Ethernet network data rate is 10/100 Mbps.



Technical specification

Ethernet interface

Connector	RJ-45 socket UTP
Transmission speed	10 / 100 Mbps, auto
Operation	full/half duplex
IP assignment	statical, DHCP, auto IP
Supported protocols:	TCP, UDP, DHCP
	SNMP, HTTP, SMTP, ARP, ICMP, IGMP
Encryption	SSL v3.0/TLS v1.0 AES 128 bit

RS485/422 interface

Connector	DB9 male
Signals RS422 (duplex)	transmit Tx, receive RxTx
Signals RS485 (half-duplex)	RxTx
Transmission speed	up to 230 kbps

Data flow control

automatically

Others

Configuration	over web interface, HTTP(S)
Indicators RS...	Rx – green Tx- orange
Indicators Ethernet	LINK - orange ACTIVITY – green
Power indicator	green
Power supply	9-24V DC
Current consumption	up to 150mA / 12V
Dimensions (WxLxH)	80 x 120 x 25 mm
Storage temperature	-10°C..+55°C
Operating temperature	0°C ... +50°C
Humidity	0..95% non condensing
Mounting	desktop, DIN rail opt.)