

Communication adapter WiFi / RS485/422 ELO E232



Characteristics

Easy installation – application profiles

User profiles Real Port
 Serial Bridge
 TCP Socket
 UDP Socket

DIN rail mounting optional

Introduction

Nowadays, a wireless networking became widely used in the automation industry. A duplex RS422 device or a half-duplex RS485 bus can be integrated into wireless network by the adapter E232.

An Ethernet user can be connected to RS485 bus through the ELO E232 and wireless access point (WAP).

Applications

The adapter altogether with supplied software allows various applications. There is configuration software supporting MS Windows operating system on enclosed CD-ROM, but Linux/Unix versions are also available.

The adapter can connect the RS422 device or RS485 bus to the computer over the wifi and WAP; it is mapped as a virtual COM port – the **RealPort profile**.

Two RS422 devices or two RS485 bus lines can be connected over the wifi like they were connected by a serial cable – the **Serial Bridge profile**.

Another application of the adapter can integrate a serial device to the network over the TCP protocol as a TCP client or TCP server – the **TCP socket**.

The adapter can use the UDP protocol to communicate – the **UDP socket**.

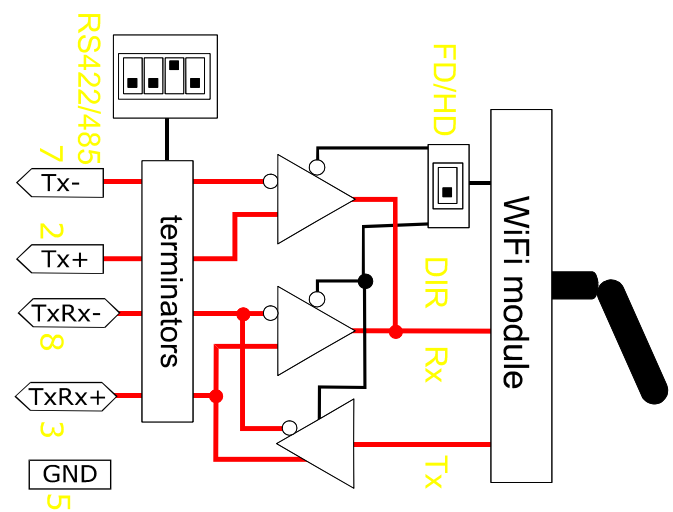
Finally, there is a **Custom profile**, where the user can change all of the communication settings both serial and network layer.

Operation

The adapter converts RS422/485 data stream to the interface IEEE 802.11b (WiFi). The RS422/485 interface is terminated with DB9M connector, the Ethernet is interfaced with RP-SMA connector for a dipole antenna.

The switches on the back panel of ELO E232 allow the connection of the internal terminators (impedance matching).

The adapter ELO E232 allows the communication up to 230 kbps over serial line.



Data flow control

SW (internal signal RTS)

Technical specification

Ethernet interface

Antenna	dipole
Transmission speed	11 / 5.5 / 2 / 1 Mbps, auto
Modulation	CCK / DQPSK / DBPSK
Operation	full/half duplex
IP assignment	statical, DHCP, auto IP
Supported protocols:	TCP, UDP, DHCP
	SNMP, HTTP, SMTP, ARP, ICMP, IGMP
Encryption	SSL v3.0/TLS v1.0 AES 128 bit

RS485/422 interface

Connector	DB9 male
Signals RS422 (duplex)	transmit Tx, receive RxTx
Signals RS485 (half-duplex)	RxTx
Transmission speed	up to 230 kbps

Others

Configuration	over web interface, HTTP(S)
Indicators RS...	Rx – green Tx- orange
Indicators Ethernet	LINK - orange ACTIVITY – green
Power indicator	green
Power supply	9-24V DC
Current consumption	up to 150mA / 12V
Dimensions (WxLxH)	80 x 120 x 25 mm
Storage temperature	-10°C..+55°C
Operating temperature	0°C ... +50°C
Humidity	0..95% non condensing
Mounting	desktop, DIN rail opt.)