

**USB - RS232 communication adapter
- virtual serial port
with galvanic isolation
ELO E213**



Characteristics

- Galvanic isolated interfaces**
- RS232 connector DB9M**
- Transmitted signals TxD, DTR, RTS,**
- Received signals RxD, DSR, CTS, DCD, RI**

The case is made from aluminum and a DIN rail clip can be added.

Adapter doesn't need an external supply. All energy is supplied from USB connector.

Introduction

The USB interface is preferred to the COM port with RS232 interface in personal computer technology. To connect the peripheral devices of the RS232 interface, the USB/RS232 adapters along with the driver are applied to create so-called virtual COM on the PC. Application running on PC can communicate with a peripheral device through this virtual COM.

Use of the adapter

The adapter allows connection between RS232 device and PC with USB interface. ELO E213 can protect both devices against static charge and electromagnetic disturbances.

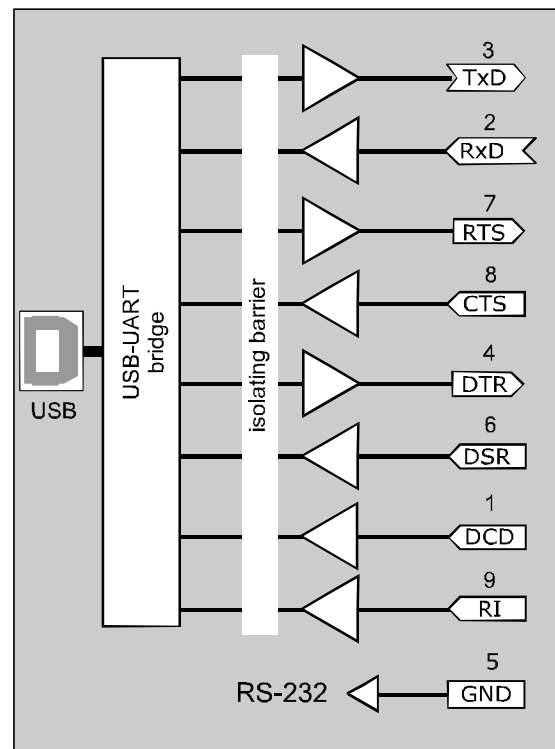
The E213 adapter may be applied on the PC computers under the MS Windows 98/Me/2000/XP, Vista or Linux operating systems.

The adapter allows the transmission rate up to 230 kbps.

Operation principles

The adapter ELO E213 converts the signals between RS232 interface and USB. All the RS232 signals: TxD, RxD, RTS, CTS, DTR, DSR, DCD and RI are present on RS232 connector DB9 M. The transmission is duplex. There is a galvanic isolation between both interfaces. There are drivers to interconnect a virtual COM port and USB interface. If they were installed properly, the LED READY has to light up

Block diagram



Specification

Electrical parameters

USB interface	2.0 full-speed (12Mb/s)
USB connector	B type
RS232 interface	transferred signals TxD, RxD RTS, CTS, DTR, DSR, DCD and RI
RS232 connector	DB9M - DTE
Maximum data rate	115 200 bps
Communication mode	full duplex plus control and status signals
Isolation USB/RS232	isolating barrier of 1kV for 1sec

Other

Supply	from USB interface
Power take-off	to 60 mA
Ready indication	LED diode READY
Data transfer indication	LED diodes RxD, TxD
Dimension: Width	55 mm
Length	65 mm
Height	24 mm
Weight	circa 80 g
Stocking temperature	- 10° to +55 °C
Working temperature	+ 0° to +50 °C
Humidity	0 – 85% (non-condensing)